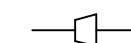
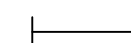
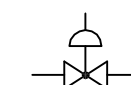
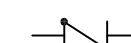



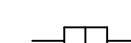

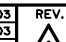


-  REDUCER
-  FLANGED PIPE
-  PNEUMATIC CONTROL VALVE
-  CHECK VALVE
-  ISOLATION VALVE
-  QUICK DISCONNECT
-  CAPPED END
-  FILTER
-  ORIFICE PLATE

NOTES:

- 1) ALL PIPING DESIGNED TO 150 PSI
- 2) AIR FLOW DESIGNED TO 0-5SCFM @ ~4PSIG
- 3) AQ. AMMONIA DESIGNED FOR 0-1GPM @ 13PSIG

AMMONIA DELIVERY CONTROL SYSTEM										BD HEAT RECOVERY DIVISION, INC.	
AMMONIA DELIVERY CONTROL SYSTEM										P & I DIAGRAM	
DRAWN: JAP		DATE: 09/10/03		REV.		DWG. NO.				 PID-2	
CHECKED: DT		DATE: 09/10/03									
APPRVD: JAC		DATE: 09/10/03									
SCALE: AS NOTED		DWG. SIZE: 24X36									

IMPORTANT: THIS PRINT IS THE PROPERTY OF BD HEAT RECOVERY DIVISION INC. AND IS LOANED FOR MUTUAL ASSISTANCE. AS SUCH IT IS SUBJECT TO BE FORWARDED TO OTHER PARTIES NOR REPRINTED IN ANY FORM WITHOUT OUR WRITTEN PERMISSION.