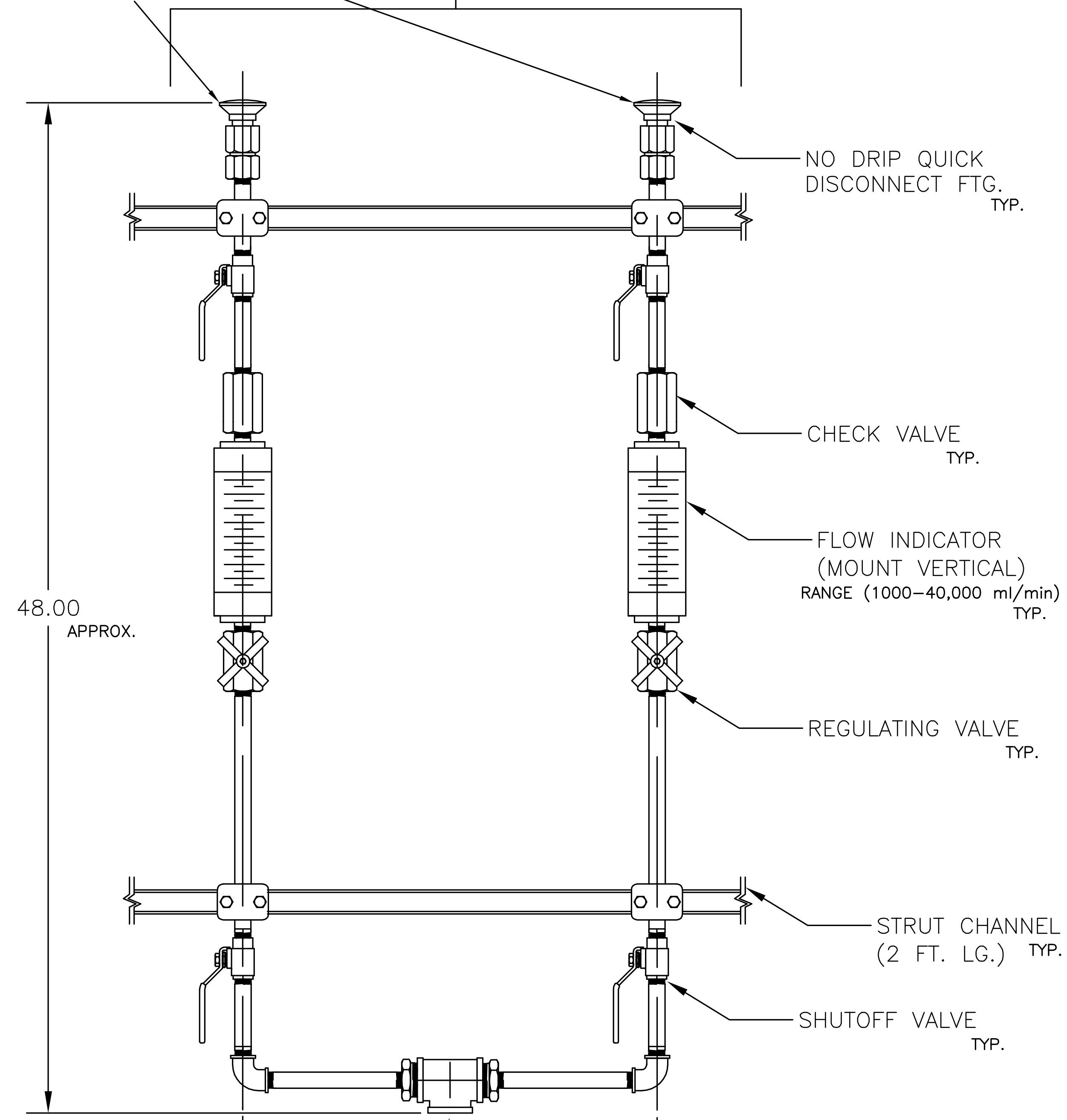
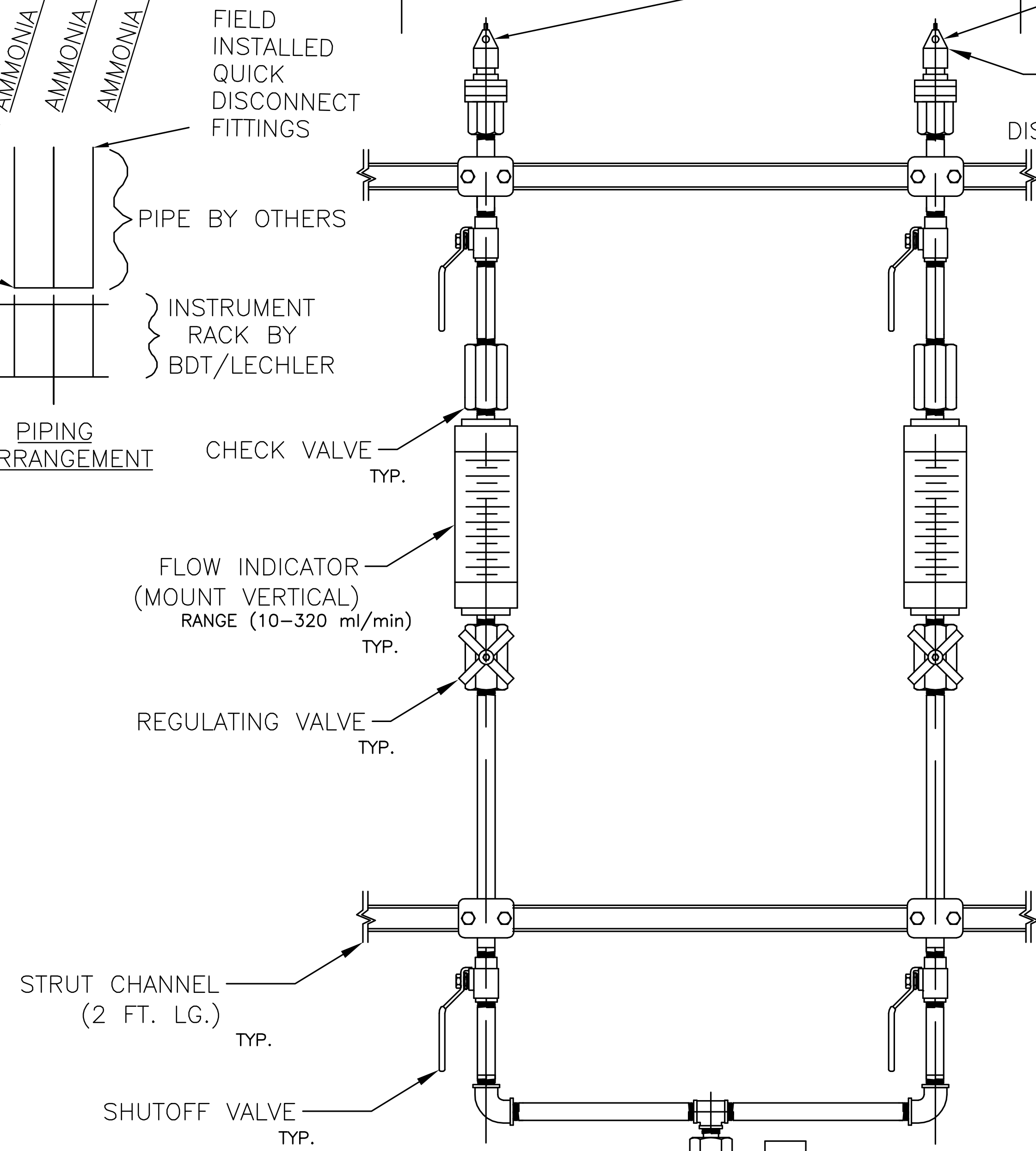
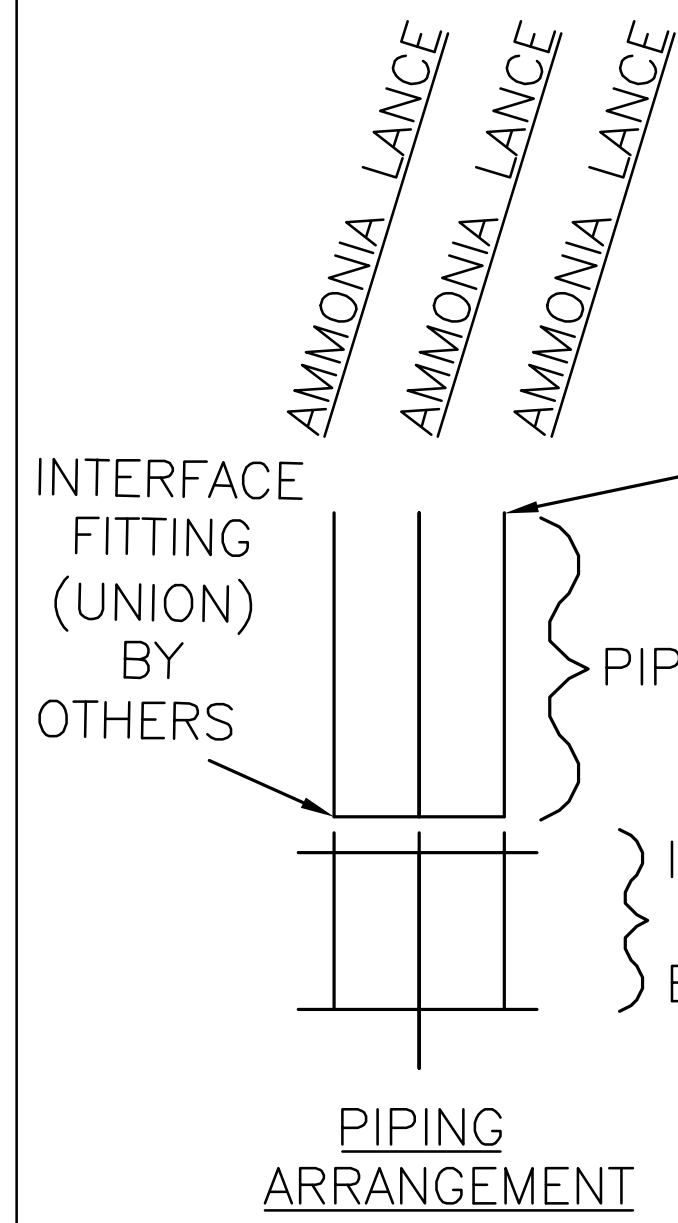


AMMONIA & INSTRUMENT AIR RACKS SHOWN ON THIS DRAWING WILL BE LOCATED AT GRADE.

(3) 6' LONG SS/TEFLON HOSE ASSEMBLIES WITH NO-DRIP QUICK DISCONNECT FITTINGS TO LANCES

SHIP LOOSE FOR MOUNTING (BY OTHERS) ONTO END OF AMMONIA AND INSTRUMENT AIR PIPE.

(3) 6' LONG SS/TEFLON HOSE ASSEMBLIES WITH NO-DRIP QUICK DISCONNECT FITTINGS TO LANCES



48.00 APPROX.

18" APPROX.

AMMONIA PIPING INSTRUMENTATION
(PART NUMBER 99B.002.17.10000)

AIR PIPING INSTRUMENTATION
(PART NUMBER 99B.002.17.20000)

- NOTES:
1. ALL PIPING 316 SS.
 2. DESIGN PRESSURE OF INSTRUMENTATION IS 175 PSIG. MAXIMUM PRESSURE OF INSTRUMENTATION IS 200 PSIG.

REMOVED FLOW TRANSMITTER

NEW PRESSURE

DWN.	TITLE	
	INSTRUMENTATION LAYOUT	
	SCALE	MATL.
	DRAWING NO.	
	P1_INSTR	